

ARI-Check valve, made of cast iron, nodular iron and cast steel

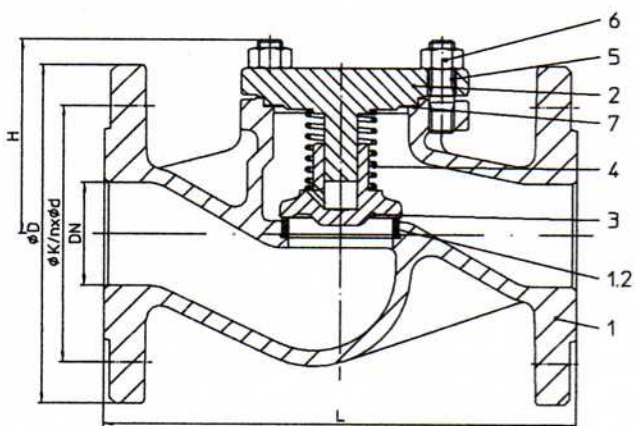


Figure	Nominal pressure	Material	Nominal diameters
10.003	PN 6	EN-JL1040	DN 15-200
12.003 / 303	PN 16	EN-JL1040	DN 15-300
22.003 / 303	PN 16	EN-JS1049	DN 15-350
23.003 / 303	PN 25	EN-JS1049	DN 15-150
34.003 / 303	PN 25	1.0619+N	DN 15-500
35.003 / 303	PN 40	1.0619+N	DN 15-500
BR 303: Trim made of RG/MS (CuZn35Ni3Mn2AlPb, CW710R code number 02 CuSn10-Cu, CC480K code number 03)			
Test: German "TA-Luft" TÜV-Test-No. 922-9204866			

Selection of possible applications:

- Industry
- Vacuum plant
- Powerstations
- Ammonia
- Flue gas purification plant
- Hot water
- Processing technology
- Heating plant
- Gas supply
- District heating
- Vapour facilities
- Cooling and freezing systems
- Thermal oil applications
- General plant manufacturing
- Recycling facilities
- Steam systems

Weights (kg)

• Design for special applications refer to page 10 - other applications on request-

Figure-No.	DN	15	20	25	32	40	50	65	80	100	125	150	200	250	300	350	400	500
10.003		2,4	2,9	3,5	4,8	6,4	8,2	12,2	18,6	27,0	42,0	67,0	112,0	--	--	--	--	--
12.003		2,4	3,0	3,8	5,7	7,4	10,3	15,2	20,4	31,0	49,0	69,0	132,0	198,0	278,0	--	--	--
22.003		3,5	4,0	5,0	6,0	8,0	11,0	16,0	21,0	31,0	49,0	69,0	132,0	198,0	278,0	383,0	--	--
23.003		3,5	4,0	5,0	6,0	8,0	11,0	16,0	21,0	32,0	51,0	70,0	--	--	--	--	--	--
34.003		3,8	4,9	5,9	7,1	10,4	12,3	22,7	28,5	40,0	64,0	90,0	160,0	222,0	337,0	461,0	709,0	989,0
35.003		3,8	4,9	5,9	7,1	10,4	12,3	22,7	28,5	40,0	64,0	90,0	170,0	240,0	374,0	508,0	786,0	1044,0

ARI-Check valve, made of forged steel

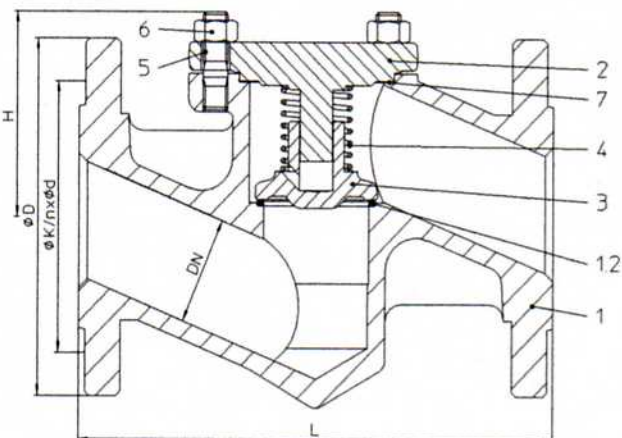


Figure	Nominal pressure	Material	Nominal diameters
45.003	PN 40	1.0460	DN 15-50
Test: German "TA-Luft" TÜV-Test-No. 922-9204866			

Selection of possible applications:

- Industry
 - Vacuum plant
 - Powerstations
 - Ammonia
 - Flue gas purification plant
 - Hot water
 - Processing technology
 - Heating plant
 - Gas supply
 - District heating
 - Vapour facilities
 - Cooling and freezing systems
 - Thermal oil applications
 - General plant manufacturing
 - Recycling facilities
 - Steam systems
- other applications on request-
- Design for special applications refer to page 10

Weights (kg)

Figure-No.	DN	15	20	25	32	40	50	65	80	100	125	150	200	250	300	350	400	500
45.003		3,2	4,5	4,6	7,3	9,5	12,0	--	--	--	--	--	--	--	--	--	--	--